



TRK-100

Compact Video Threat Detection™

The TRK-100, of the TotalTrack® family of products, is a plug-and-play, Video Threat Detection system. TRK-100 is the ideal way to upgrade your existing video surveillance system to a full-functioned threat detection system that is intelligent and proactive. TRK-100 gives you the full benefits of advanced video analysis technology, without an expensive reconfiguration of your existing system.

Features

- Fully operational within minutes.
- Identifies multiple intruders moving anywhere in the camera FOV (field of view) in any terrain.
- Continuous learning (per pixel / 30 times per second) provides automatic sensitivity adaptation 24/7 year-round (e.g. changing illumination & weather conditions)
- Can ignore motion in predefined areas and predefined directions such as patrol roads or guard stations.
- Detection of intruders:
 - At large distances (Human >800 ft, Car >3300 ft)
 - At low speed (as slow as 1ft / 5 minutes)
 - Under low visibility conditions (camouflaged intruder, fog, snow)
- Generates alarms for low visibility, FOV obstruction, video malfunction, weak or no signal.
- Maintains 99 percent POD (probability of detection) while reducing false alarms to minimum.
- Tracks intruders with automatic Pan/Tilt/Zoom tracking (PTZ) even after target leaves range of fixed cameras

The system that's right for you

Choose the TRK-100 configuration that meets your specific security needs. There are two configurations available:

TRK-100 IT includes IntrusionTrack™, ioIMAGE's propriety module for intelligent intrusion detection, one video input, one

Configurations

TRK-100 IT:

- IntrusionTrack module - intelligent intrusion detection
- One analog video in, one analog video out with graphics overlay
- Discrete I/O
- Digital video (video over IP), alarms and commands streamed over Ethernet
- RS485 port for connection to PTZ camera and Matrix
- Setup Software and API
- Ordering: P/N TRK-100-IT



enhanced video output (with intruders highlighted and their paths marked on the video image), RS485 to control a PTZ camera and Matrix, and a Discrete I/O port for alarms and external inputs.

TRK-100 is a complete streaming video server, which outputs compressed, digitized video in MPEG-4 format over the IP network along with alarms and commands.

IntrusionTrack™ works both on stationary and PTZ cameras.

TRK-100 PTZ offers the PTZTrack™ module, an automatic PTZ camera controller. PTZTrack locks a Pan-Tilt-Zoom camera on an intruder, and automatically keeps the intruder in center focus, regardless of how the intruder moves. PTZTrack lets your security force track an intruder on the entire range covered by the PTZ camera.

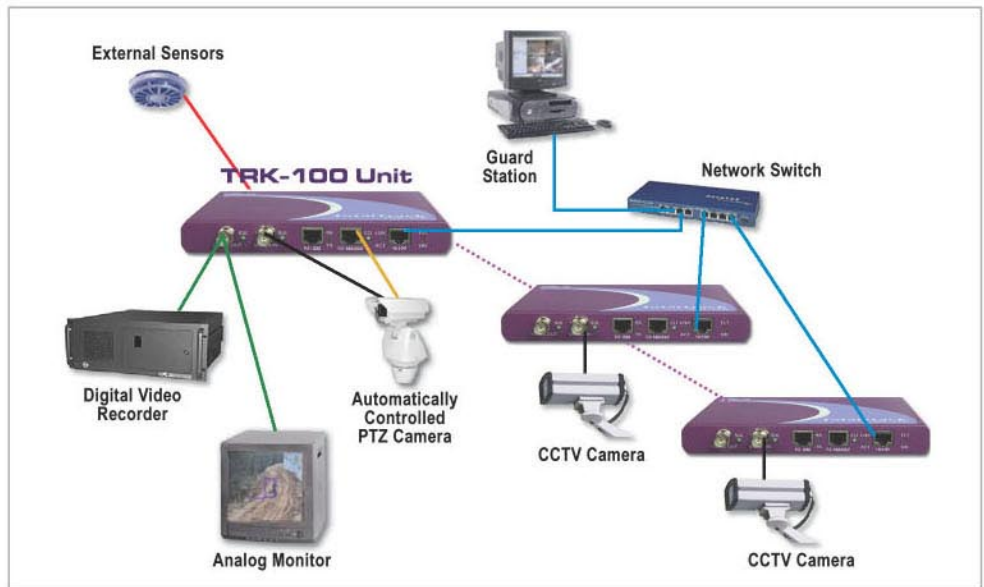
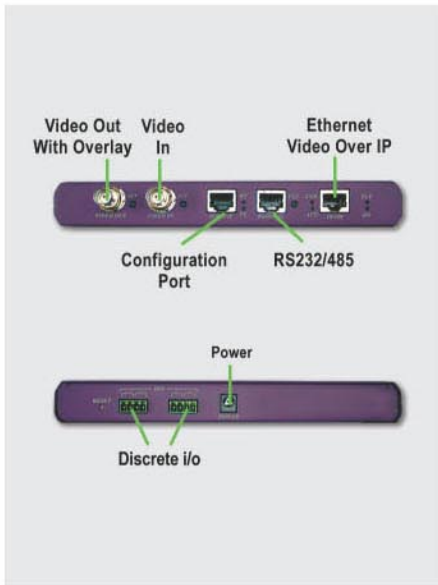
Both TRK-100 IT and TRK-100 PTZ come with an API for integration with your existing application; or you can purchase ioIMAGE's TRK-Monitor software, advanced command center software that runs on any standard PC.

Regardless of the configuration you choose, you get all the advantages of the next generation of video surveillance. TotalTrack combines dedicated hardware with a suite of advanced intelligent algorithms called Video Threat Detection (VTD), that extend the limits of standard VMD far beyond its current capabilities. These algorithms, including pattern recognition, statistical hypothesis testing, advanced learning algorithms and more, push the envelope of VMD.

ioIMAGE, the creator of TRK-100, is the leading developer of systems that apply advanced image analysis technologies to video surveillance.

TRK-100 PTZ:

- PTZTrack module - automatic PTZ camera controller
- One analog video in, one analog video out with graphics overlay
- Discrete I/O
- Digital video (video streaming over IP), alarms and commands streamed over Ethernet
- RS485 port for connection to PTZ camera and Matrix
- Setup Software and API
- Ordering: P/N TRK-100-PTZ



Sample block diagram

Specifications

Cameras supported	Color, B/W, IR, Thermal
Video Interface	Formats: PAL, NTSC Input: Composite, BNC Output: Composite, BNC IP Output: MPEG-4
Network Interface	IEEE 802.3/802.3U Ethernet/Fast Ethernet, RJ-45
Serial Data Interface	RS-232/485, RJ-45
Discrete I/O Interface	2 Ports Inputs: Dry Contact 2 Ports Outputs: Opto-isolated
Physical Characteristics	Size (W/H/D): 19.5x2.8x14 cm (7.67"x1.1"x5.51") Weight: 0.5Kg
Electrical Characteristics	Line Feed: 100-230 VAC / 47-63 Hz Battery Feed: 12 VDC Unit Voltage: 5 VDC Power Consumption: 7W typical
Environment	Operating temperature: 0° to 50°C (32 to 104F) Storage temperature: -10° to 65°C (14 to 149F) Operating humidity: 5% to 95% (Non-Condensing)
Certifications	Safety: UL Listed, CE EMI/RFI: FCC ClassA, CE ClassA

